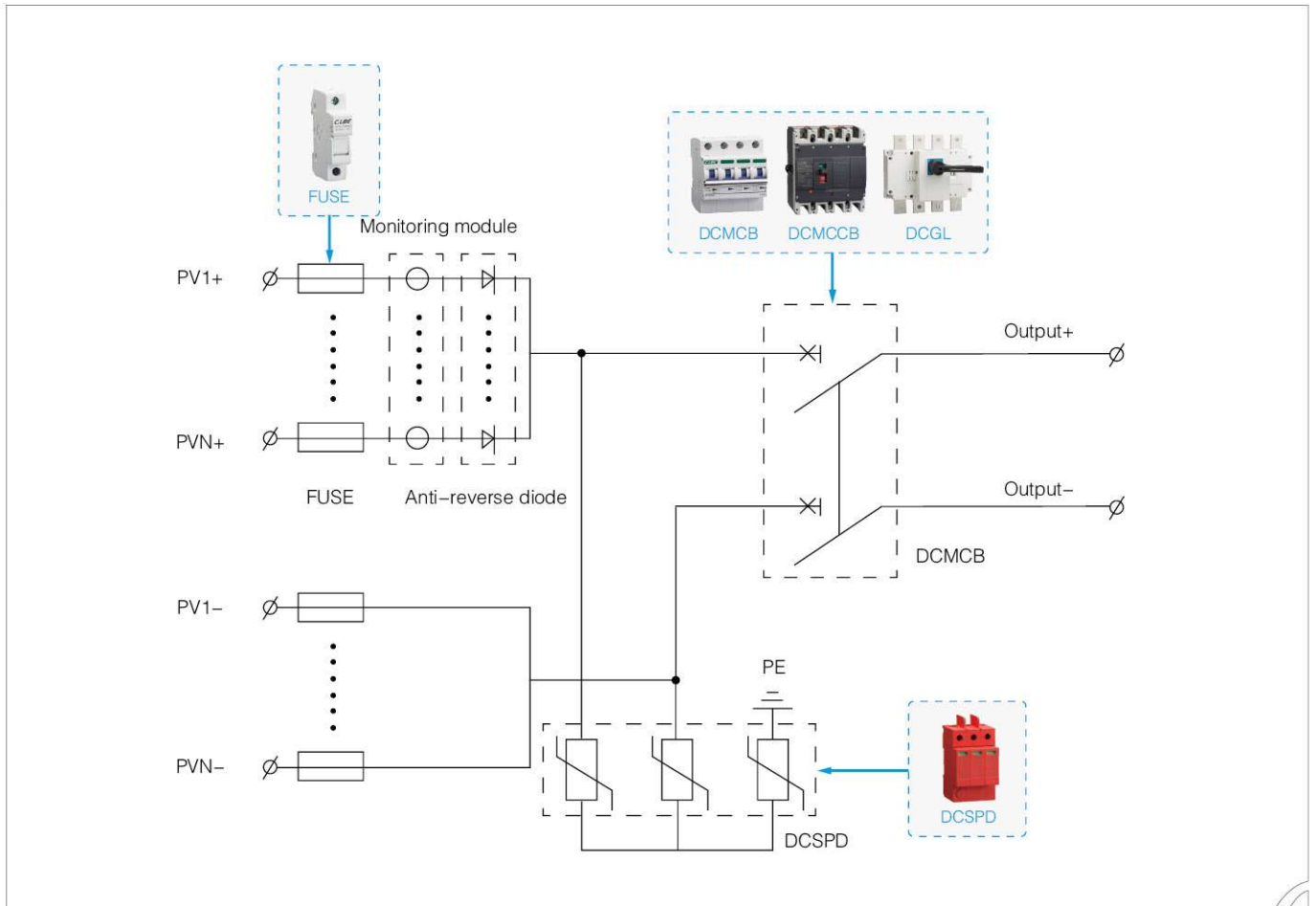


HMP1000-K004 PV COMBINER BOX

- High reliability
 - With DC FUSE
 - With DC Surge Protection Device
 - With DC circuit breaker or DC load isolation switch.
- Strong adaptability
 - IP65 design, waterproof, anti dust and anti ultraviolet.
 - Strict test for high and low temperature, used widely.
 - The simple installation, the simplified system wiring, the convenient wiring .
 - The box body is made of cold rolled steel and other metal materials.
- Flexible configuration
 - Used for single crystal silicon solar modules, polycrystalline silicon solar modules, thin film solar modules. Current rating of the photovoltaic fuse, circuit breaker, load isolation switch is modified.



The combiner box meets the following two-element installation

PV Combiner Box Datasheet	
Part Number	HMP1500VDC PV Combiner BoX Datasheet
Technical data	
Strings Number	8/10/12//14/16 /20/24Strings
Dimensions (H/W/D) mm	Designed according to configuration requirements
Material	Matel+Plastic sprayed surface
Install method	Screw
Degree of protection (according to EN 60529)	IP65
Out Color	Offwhite
Electrical properties	
Max. open circuit DC voltage	1000V DC
Earthing (DC)	Yes
Max. DC short circuit current per input	15A DC
Surge protection Device	1000V DC 40KA(II)
Surge protection RS-485 side/RS232 (string monitoring)	Optional
Inputs	
Number of DC inputs (plus and minus = one input)	Designed according to configuration requirements
Connection DC input cables (+) to	Fuse holder (0,75 mm ² - 25 mm ²)
Connection DC input cables (-) to	Fuse holder (0,75 mm ² - 25 mm ²)
Entrance DC input cables through	M16 cable gland, IP67, Ø:5-10 mm
Fuses	With Fuse 15A 10*38
Location of fuses	Positive and negative inputs
Outputs	
Number of DC outputs (plus and minus = one output)	1
Connection DC output cables to	Match by output cable size
Exit DC output cables through	Match by output cable size
Max. output circuit breaker current(A)	8 way125A; 10 way160A;12 way180A; 14 way200A; 16 way225A;20 way315A; 24 way350A;
Switch-disconnector with auxiliary contact	MCCB 1000VDC
String monitoring	
Outside the cabinet	Optional
Monitoring of input current, voltage and temperature	Optional