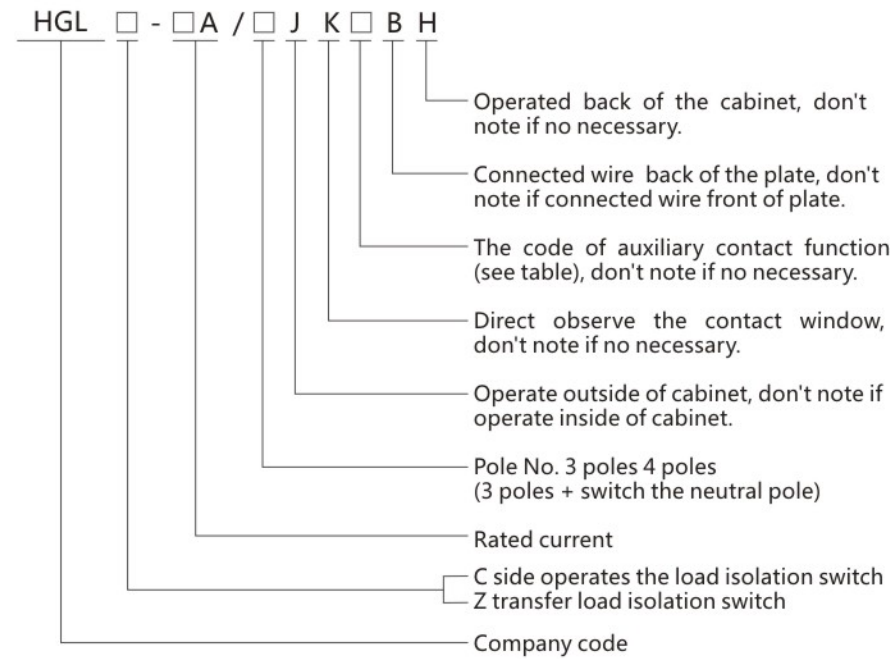


Application

The switch is used for overload insulation under AC 50/60Hz, rated voltage 660V rated current 3150A.



Model and meaning



One NO and one NC	11	NO+NC
Two NO and Two NC	22	2NO+2NC

Example for lecto type: Rated current 630A, include neutral pole transferring load isolation switch, HGLZ-630A/4J for operating outside of cabinet



Service environment

1. HGL load-isolation switch can operate under the following conditions
 2. Altitude not more than 2000m;
 3. The range of ambient temperature is from 5°C to 40°C;
 4. Relative humidity not more than 95%;
 5. The environment without any explosive medium.
 6. The environment without any rain or snow attacking.
- If the product is expected to be used in the environment where temperature is over +40°C or below -5°C-45°C, user's shall tell it to the manufacturer.

Principal technical parameter

Table 1

Conventional thermal current (A)			63A		100A		160A		250A	
Rated current In (A)			40	63	80	100	125	160	200	250
Rated insulation voltage Ui (V) (installation type IV)			690	690	690	690	690	690	690	690
Dielectric strength (V)			5000	5000	5000	5000	5000	5000	5000	5000
Rated surge-resistant voltage Uimp kV (installed category IV)			6	6	6	6	6	6	6	6
Rated working current Ie (A)	380V	AC-21B	40	63	80	80	125	160	200	200
		AC-22B	40	63	80	80	125	160	200	250
		AC-23B	40	50	80	80	125	160	200	250
	660V	AC-21B	40	50	80	80	125	160	200	250
		AC-22B	32	32	50	50	125	160	160	160
		AC-23B	25	25	40	40	80	80	100	125
Motor power P (kW)		380V	18.5	25	40	40	63	80	100	132
		660V	22	22	33	33	75	75	90	110
Rated short-time withstand current Icw (kA Rms) 0.1s/1s			2	2	2	2	8	8	12	12
Rated breaking capability Icn (A Rms) AC23 380V			320	504	640	800	1000	1000	1600	1600
Rated making capability Icm (A Rms) AC23 380V			400	630	800	1000	1250	1600	2000	2500
Rated short-current making capability Icm (kA peak value)			2.84	2.84	2.84	2.84	13.6	13.6	17	17
Mechanical durability 380V			1700	1700	1700	1700	1400	1400	1400	1400
Electrical curability 380V			300	300	300	300	200	200	200	200
Operation moment (Nm)			1.2	1.2	1.2	1.2	6.5	6.5	10	10

Principal technical parameter

Table 2

Conventional thermal current (A)			630A				1600A			3150A				
Rated current In (A)			315	400	500	630	1000	1250	1600	2000	2500	3150		
Rated insulation voltage Ui (V) (installation type IV)			1000	1000	1000	1000	1000	1000	1000	1000	1000	1000		
Dielectric strength (V)			8000	8000	8000	8000	10000	10000	10000	10000	10000	10000		
Rated surge-resistant voltage Uimp kV (installed category IV)			6	6	6	6	6	6	6	6	6	6		
Rated working current Ie (A)	380V	AC-21B	315	400	500	630	1000	1250	1600	2000	2500	3150		
		AC-22B	315	400	500	630	1000	1250	1600	2000	2500	3150		
		AC-23B	315	400	500	630								
	660V	AC-21B	315	400	400	500	1000	1000	1600	2000	2500	2500		
		AC-22B	315	315	315	315	800	800	800	1000	1250	1600		
		AC-23B												
Motor power P (kW)			380V		160	220	280	315	560	560	560	710	710	710
			660V		185	185	185	185	475	475	475	750	750	750
Rated short-time withstand current Icw (kA Rms) 0.1s/1s			25	25	25	25	50	50	50	50	50	50		
Rated breaking capability Icn (A Rms) AC23 380V			2520	3200	4000	5040	3000	3750	4800	6000	7500	9450		
Rated making capability Icm (A Rms) AC23 380V			3150	4000	5000	6300	3000	3750	4800	6000	7500	9450		
Rated short-current making capability Icm (kA peak value)			40	40	40	40	70	70	70	105	105	105		
Mechanical durability 380V			800	800	800	800	500	500	500	300	300	300		
Electrical durability 380V			200	200	200	200	100	100	100	100	100	100		
Operation moment (Nm)			14.5	14.5	14.5	14.5	37	37	60	60	60	60		

Conformed standard

International standard

1EC60947-1(1998) 《 Low-voltage switchgear and controlgear, part one: General Rules》 .

IEC60947-3(1999) 《 Low-voltage switchgear and controlgear, switches, disconnectors, switch-disconnectors and fuse-combination units)》

Normal work conditions and Installation

- 1、 Ambient temperature: -5°C~40°C, relative humidity is not larger than 95%.
- 2、 Altitude: shall not exceed 2000m.
- 3、 No explosive dangerous medium environment.
- 4、 No rain and snow attack environment.

Note: if the load isolation switch is expected to be used in the condition that the ambient temperature is higher than +40°C or is lower than -5°C, customers should inform to the manufacturer.

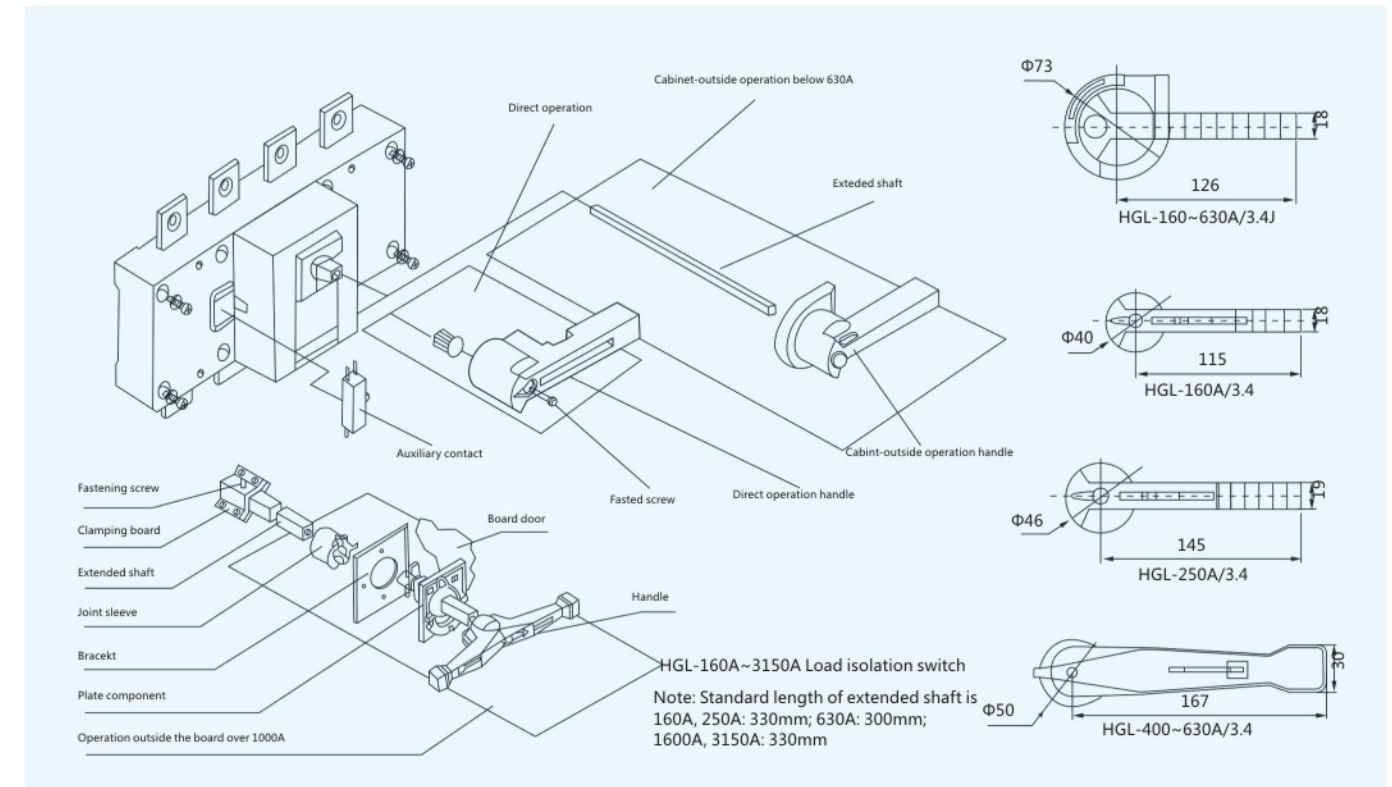
Load isolation switch of HGL-63~3150A

7 specifications of HGL load isolation switch from 63A to 3150A: Basic model of modularized design, 3 poles, 4 poles (3 poles+on and off neutral pole). It is suitable for the making and breaking operation of electric circuit or electric isolation. Switches over 1000A are only suitable for electric isolation.

Mark window is set in the front side to indicate the on and off state of the contact .

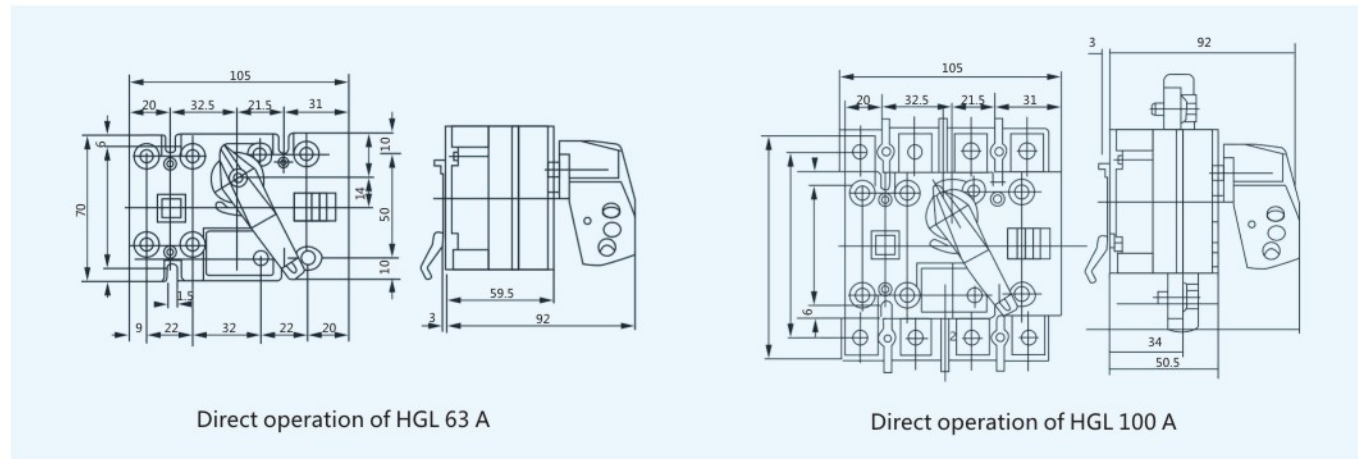
Operation mode

- 1、 Direct operation: The handle is installed in the middle of the switch.
- 2、 Operation outside the board: The handle is installed outside the door of distributing board.

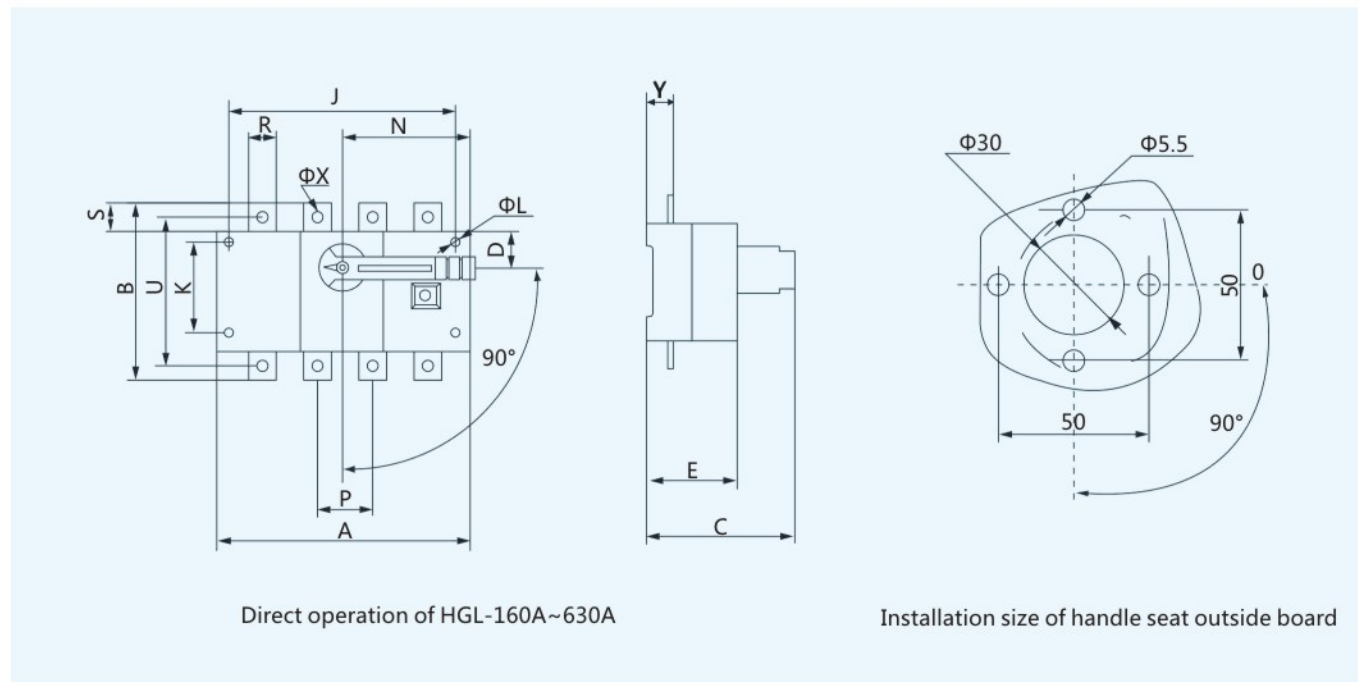


Overall& Installation Dimension

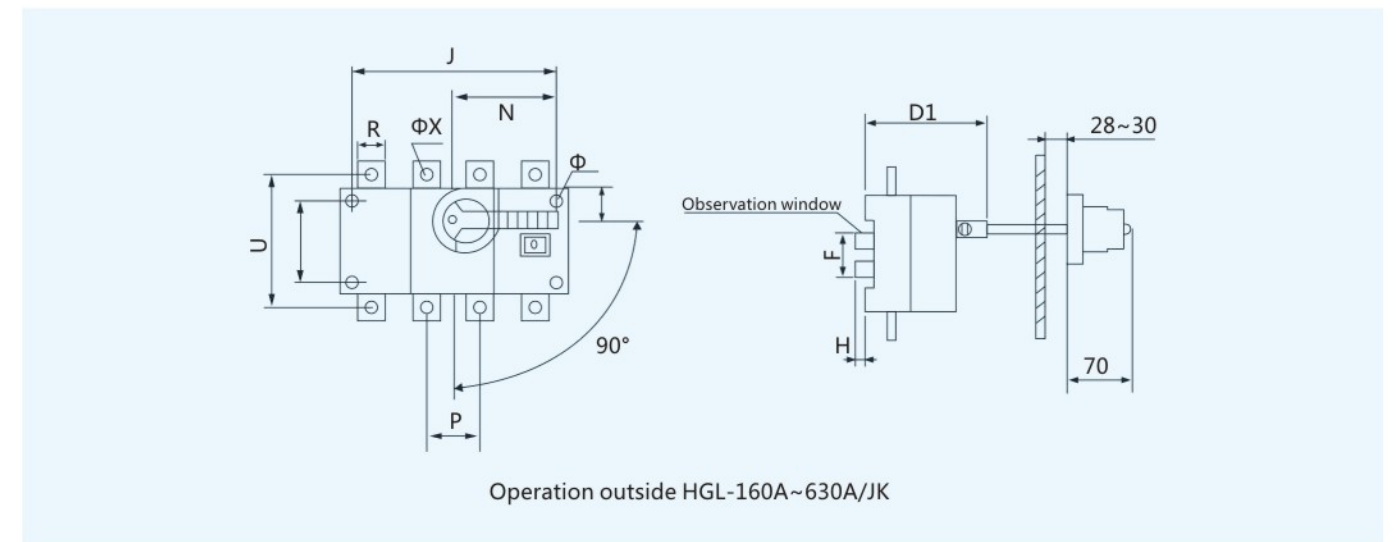
Load isolation switch side operation load isolation switch of HGL-63A~100A



External dimension and installation dimension of HGL-160A~630A load isolation switch

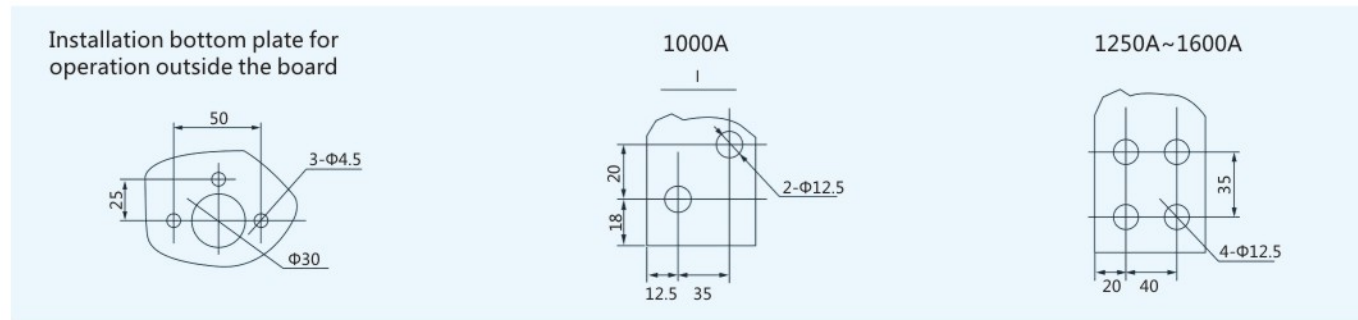
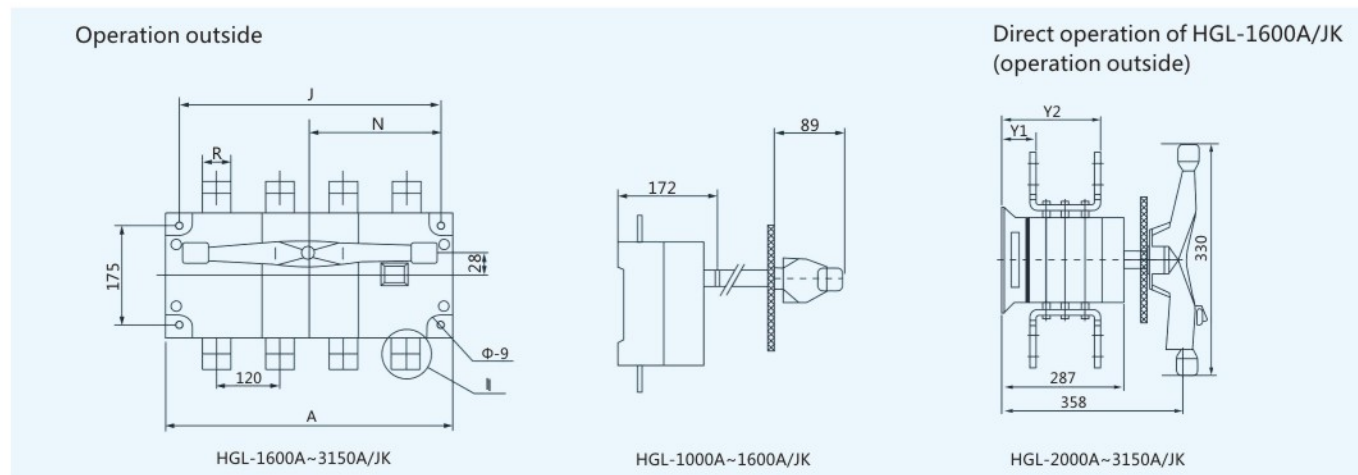
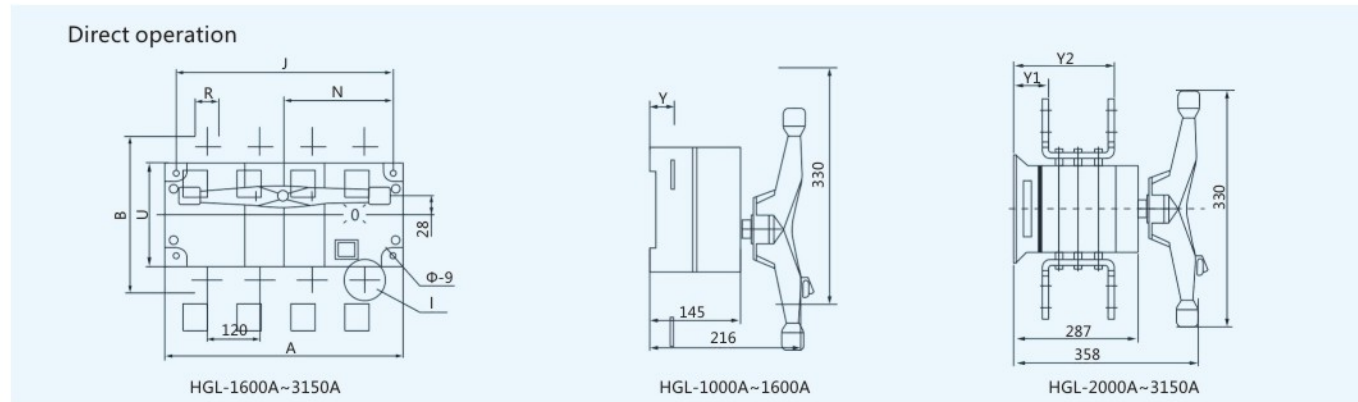


Overall& Installation Dimension



In	A	B	C	D	D1	E	ΦL	J	K	N	P	R	S	U	ΦX	Y	F	H
125A/3	140	135	121	27	93	71	5.5	120	65	75	36	20	25	115	9	24	50	10
125A/4	170	135	121	27	93	71	5.5	150	65	75	36	20	25	115	9	24	50	10
160A/3	140	135	121	27	93	71	5.5	120	65	75	36	20	25	115	9	24	50	10
160A/4	170	135	121	27	93	71	5.5	150	65	75	36	20	25	115	9	24	50	10
200A/3	180	170	144	35	104	84	5.5	160	90	105	50	25	30	140	11	25	79	15
200A/4	230	170	144	35	104	84	5.5	210	90	105	50	25	30	140	11	25	79	15
250A/3	180	170	144	35	104	84	5.5	160	90	105	50	25	30	140	11	25	79	15
250A/4	230	170	144	35	104	84	5.5	210	90	105	50	25	30	140	11	25	79	15
315A/3	230	240	179	50	137	115	7	210	140	135	65	32	40	206	11	37	95	20
315A/4	290	240	179	50	137	115	7	270	140	135	65	32	40	206	11	37	95	20
400A/3	230	240	179	50	137	115	7	210	140	135	65	32	40	206	11	37	95	20
400A/4	290	240	179	50	137	115	7	270	140	135	65	32	40	206	11	37	95	20
500A/3	230	260	179	50	137	115	7	210	140	135	65	40	50	220	13	37.5	95	20
500A/4	290	260	179	50	137	115	7	270	140	135	65	40	50	220	13	37.5	95	20
630A/3	230	260	179	50	137	115	7	210	140	135	65	40	50	220	13	37.5	95	20
630A/4	290	260	179	50	137	115	7	270	140	135	65	40	50	220	13	37.5	95	20

Load isolation switch side operation load isolation switch of HGL-1600A~3150A



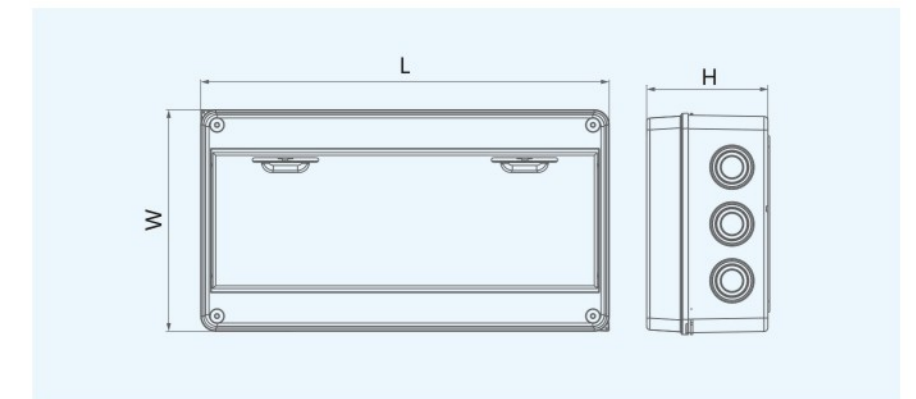
In	A	A1	B	J	N	R	U	Y	Y1	Y2
1000A/3	378	105	310	353	171	60	200	48		
1000A/4	498	105	310	473	231	60	200	48		
1250A/3	378	105	336	353	171	80	200	48		
1250A/4	498	105	336	473	231	80	200	48		
1600A/3	378	105	336	353	171	80	200	49		
1600A/4	498	105	336	473	231	80	200	49		
2000A/3	378		455	353	171	80	200		78.5	225.5
2000A/4	498		455	473	231	80	200		78.5	225.5
2500A/3	378		455	353	171	80	200		78.5	225.5
2500A/4	498		455	473	231	80	200		78.5	225.5
3150A/3	378		505	353	171	120	200		78.5	227
3150A/4	498		505	473	231	120	200		78.5	227

General

HT Series lighting box is in line with IEC-493-1 standard, attractive and durable, safe and reliable, which is widely used in various places such as factory, mansion residence, shopping center and so on.

Features

1. Panel is the ABS material for the engineering, high strength, never change color, the transparent material is PC.
2. Cover push-type opening and closing
Face covering of the distribution box adopts the push-type opening and closing mode, the face mask can be opened by pressing lightly, the self-locking positioning hinge structure is provided when opening.
3. Wiring design of the power distribution box
The guide rail support plate can be lifted to the highest movable point, it is no longer limited by the narrow space when installing the wire. To install easily, the switch of the distribution box is set up with the wire groove and wire pipe exit-holes, which are easy to use for a variety of wire grooves and wire pipes.



Model	Dimension(mm)		
	L(mm)	W(mm)	H(mm)
HT-5P	119	159	90
HT-8P	201	155	90
HT-12P	255	198	108
HT-15P	309	198	108
HT-18P	363	198	108